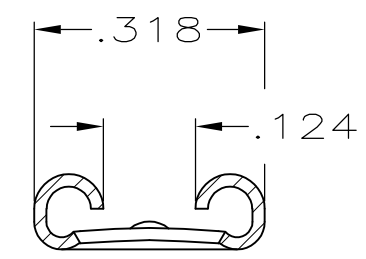
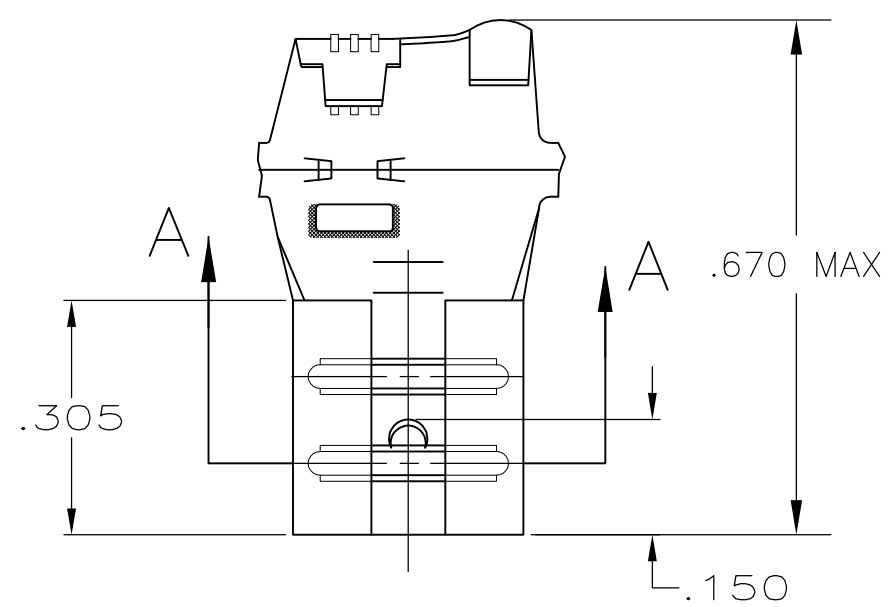


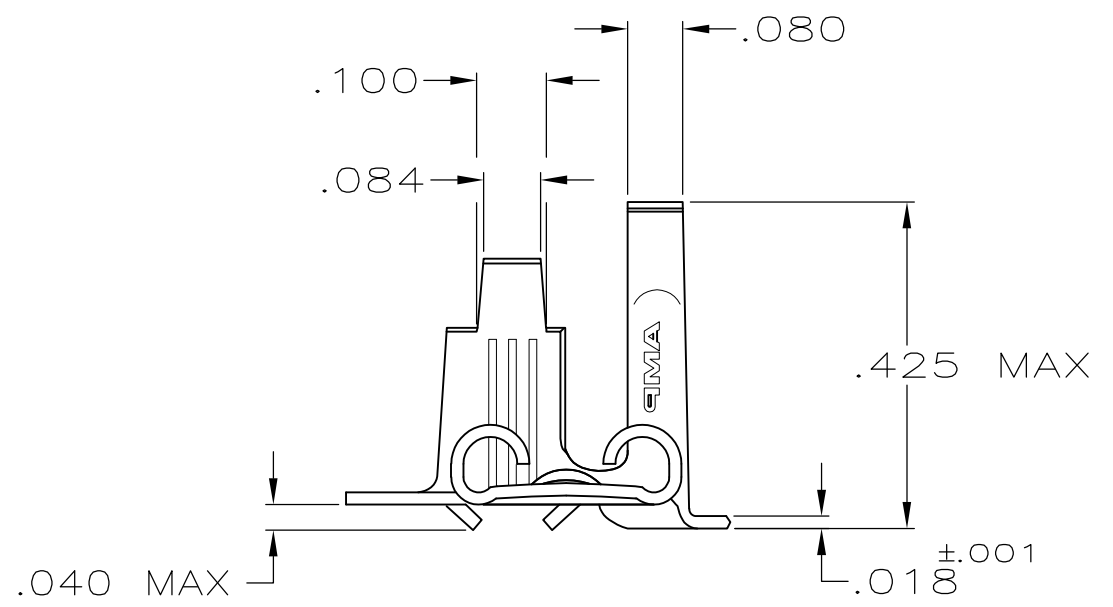
THIS DRAWING IS UNPUBLISHED. RELEASED FOR PUBLICATION
 © COPYRIGHT BY TYCO ELECTRONICS CORPORATION. ALL INTERNATIONAL RIGHTS RESERVED.

LOC	DIST	REVISIONS			
P	LTR	DESCRIPTION	DATE	DWN	APVD
AF	50	L3	REVISED PER ECR-08-029227	20NOV08	HMR PD

- 1 CONTINUOUS STRIP ON REELS
- 2 WIRE SIZE IS 18-12 AWG
- 3 INSULATION RANGE IS .110-.210 DIA
- 4 MATING TAB THK IS .032±.001



SECTION A-A



OBSOLETE	TIN	FINISH	MATERIAL	PART NO
	.000080 MIN	T4 BRASS		60274-4
		SILVER	T3 PHOS BRZ	60274-3
	.000080 MIN		T3 PHOS BRZ	60274-2
OBSOLETE			T3 PHOS BRZ	60274-1

THIS DRAWING IS A CONTROLLED DOCUMENT.		DWN	JR RUTH	6/7/91	Tyco Electronics Corporation Harrisburg, PA 17105-3608										
DIMENSIONS: INCHES		CHK	MS FEHER	6/7/91				NAME							
		TOLERANCES UNLESS OTHERWISE SPECIFIED:		APVD		R REINER		PRODUCT SPEC		RECEPTACLE, FASTON, FLAG, LEFT HAND, .250 SERIES					
MATERIAL		FINISH		APPLICATION SPEC		WEIGHT		SIZE		CAGE CODE	DRAWING NO	RESTRICTED TO			
SEE TABLE		SEE TABLE		-		-		A3		00779	C-60274	-			
CUSTOMER DRAWING										SCALE	4:1	SHEET	1 OF 1	REV	L3